

Disposable Bladeless Trocar

An Access System that enables hassle-free laparoscopic access and allows you to focus solely on your patient. With a simple twisting motion, the Bird Wing Bladeless Tip separates the tissue, rather than cutting it. The result: a smaller wound, lesser trauma and easier closure.

- **Optical Entry:**

- ▶ Enables visualization of tissue layers during insertion
- ▶ Makes the first entry safe

- **BIRD WING TIP (BWT) Bladeless Design:**

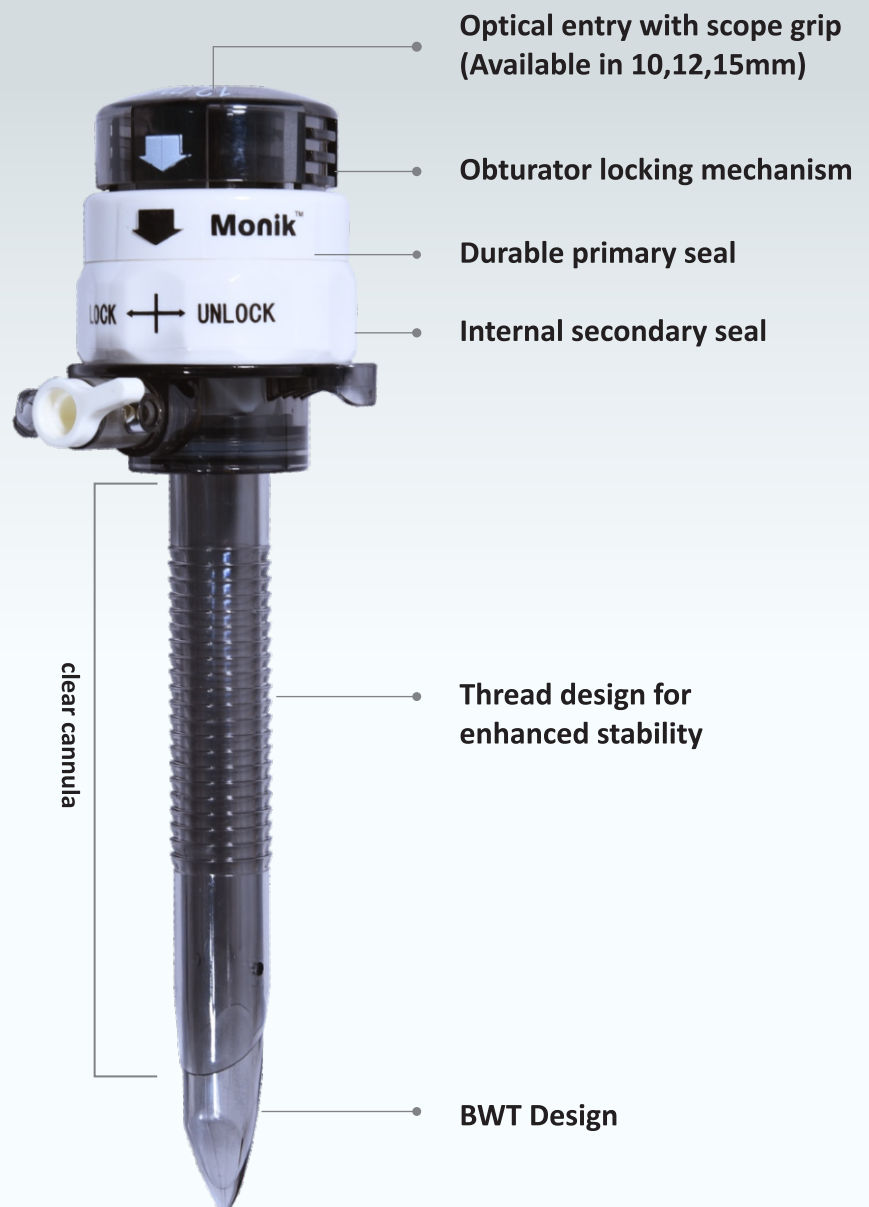
- ▶ Low insertion force
- ▶ Separates rather than cuts, along tissue fibers, pushing tissue and vessels away
- ▶ Smaller wound defect
- ▶ Low port site herniation rate

- **Durable Primary Seal:**

- ▶ Able to withstand pressure along with a long lasting performance
- ▶ Accommodates a wide range of instrument sizes

- **Internal Secondary Seal:**

- ▶ Facilitates small specimen retrieval, Hernia mesh introduction and Laparoscopic suturing



Code	Product Description	Type Sleeve
MNK5	Bladeless Trocar, 5mm diameter, 95mm Length	Stability
MNK10	Bladeless Trocar, 10mm diameter, 95mm Length	Stability
MNK12	Bladeless Trocar, 12mm diameter, 95mm Length	Stability
MNK15	Bladeless Trocar, 15mm diameter, 110mm Length	Stability